

WIND-CLI[®] WIND SENSOR

INSTALLATION CARD



INTRODUCTION

In most installations, the Wind-Click acts as a switch to break the circuit to the solenoid valves of the irrigation system during high wind conditions. This allows the timer to advance as scheduled, but keeps the valves from opening the water flow. Once the wind conditions drop below the reset point, the switch closes again to permit normal operation. This is performed by the wind action of the vanes. They rotate about 180°, and do not spin. There are arrow indicators on the top part of the housing that indicate the direction of rotation from rest. The switching action occurs about midway in the range of rotation.

MOUNTING

The housing of the Wind-Click is designed to slip over the end of 2" (50 mm) PVC pipe. The length and the fixing of the pipe should be determined by the user depending on the needs of the installation. For example, the pipe could be inserted directly into the ground as a post, or a short length could be screwed into a wooden deck post.

Mounting Location

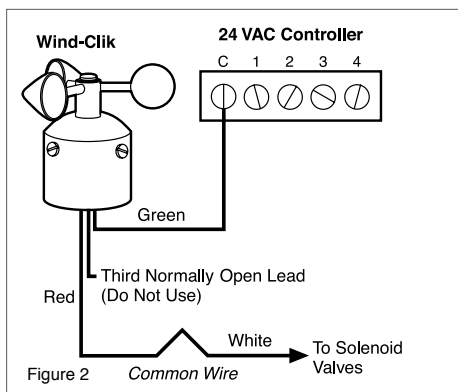
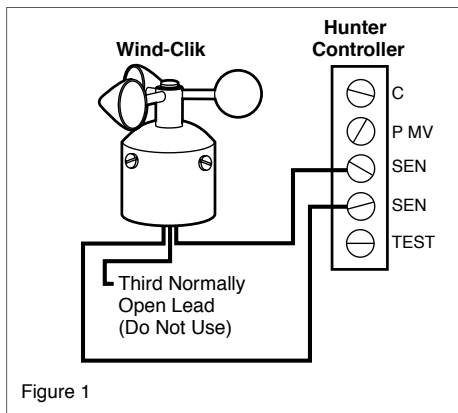
Avoid obstructions that block wind, if possible. When there are buildings nearby, the Wind-Click should be located so that the prevailing wind is not obstructed. Although installing the Wind-Click up high is not always necessary, it is a good way to avoid obstructions. Wind speed often varies according to the height of the air column above the ground. For proper irrigation system control, placing the Wind-Click at a height of about 6' (2 m) above ground is usually satisfactory.

WIRING TO YOUR IRRIGATION SYSTEM

Wiring to a Hunter Controller

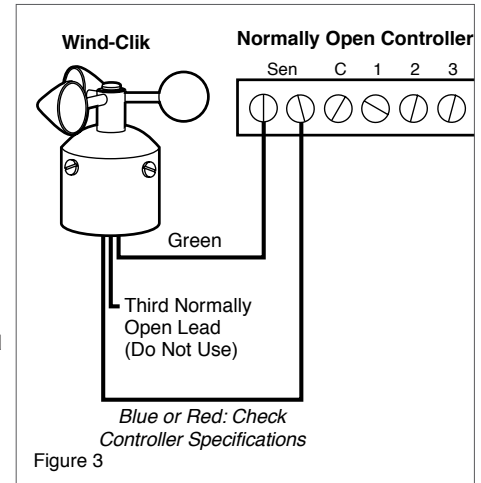
The Wind-Click connects directly to the X-Core[®], XC Hybrid, Pro-C[®], PCC, ICC2, I-Core[®], ACC, ACC2, and Hydrowise[™] controllers. This allows you to easily override the sensor by using the Sensor switch on the front panel:

1. Remove the jumper from the two "SEN" terminals.
2. Route the wires from the rain sensor up through the same conduit opening used for valve wiring.
3. Connect one wire to the terminal labeled "SEN" and the other wire to the other "SEN" or "SEN COM" terminal (Figure 1).



Other Controllers

The two most common situations are shown below. For nonstandard wiring situations, please consult your distributor or request our nonstandard wiring information packet. For sprinkler systems, use the common and normally closed wire to break the solenoid common circuit (Figure 2). For a controller with sensor inputs, use either the N.C. or N.O. wire depending on the controller's instructions (Figure 3).



ADJUSTMENTS

The large knob is the switching (actuation) speed in mph. For example, if the unit is wired normally closed, the dial will indicate the wind speed that will trigger the unit to switch open. The small knob is the reset speed. This is the wind speed that the wind will have to slow down to in order to reset the switch (closed, in this example). The reset speed should always be set lower than the switching speed. If the reset speed is set the same or higher than switching speed, extreme switch chatter could occur (i.e., on-off-on-off). The difference between the two settings will largely determine the cycling of the system being controlled. The larger the difference, the longer the cycle. Do not try to move the dial knobs counterclockwise past the lowest speed setting, or go past the highest speed setting.

OPERATION

There is built-in damping in the unit to alleviate the problem of short gusts of wind. Therefore, the wind speed settings, while accurate under controlled conditions, are actually relative averages when configured in the field. The user should make initial wind speed settings and observe to make sure the Wind-Click is switching as desired. Incremental adjustments can then be made. Manual operation or testing of the unit can be done by manually rotating the vanes in the direction of the arrows. Switching will occur about 90° from the rest position and stay switched to the end of its travel range (180° from rest). Allowing the vanes to rotate backward to the rest position will deactivate the switch (about 45° from the rest position).

Need help? Visit hunter.direct/windclickhelp

